



32-Tap MiniPot™ Digitally Programmable Potentiometers with 2-Wire Interface



FEATURES

- 0.3µA Ultra-low standby current
- Single-supply operation: 2.7V to 5.5V
- Glitchless switching between resistor taps
- Power-on reset to midscale
- 2-wire up/down serial interface
- Resistance values: 10kΩ, 50kΩ and 100kΩ
- Low wiper resistance: 80Ω for CAT5123, CAT5124, CAT5125
- CAT5110, CAT5118, CAT5119 available in SC-70

APPLICATIONS

- LCD screen adjustment
- Volume control
- Mechanical potentiometer replacement
- Gain adjustment
- Line impedance matching

For Ordering Information details, see page 11.

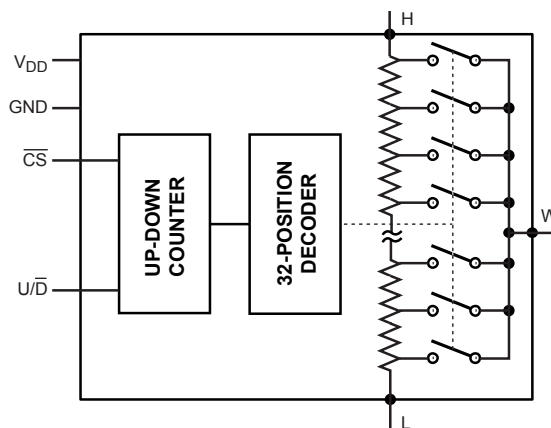
DESCRIPTION

CAT5110/18/19/23/24/25 linear-taper digitally programmable potentiometers perform the same function as a mechanical potentiometer or a variable resistor. These devices consist of a fixed resistor and a wiper contact with 32-tap points that are digitally controlled through a 2-wire up/down serial interface.

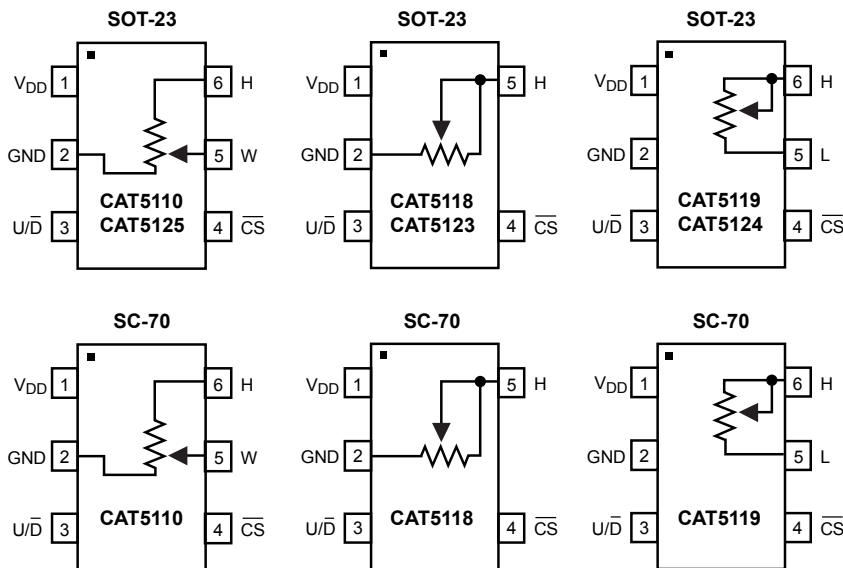
The CAT5110 and CAT5125 are configured as potentiometers. The CAT5118/19/23/24 are configured as variable resistors.

Three resistance values are available: 10kΩ, 50kΩ and 100kΩ. All devices are available in space-saving 5-pin and 6-pin SOT-23 packages. The CAT5110/18/19 are also available in the SC-70 package.

FUNCTIONAL DIAGRAM



PIN CONFIGURATION



PIN DESCRIPTIONS

Pin Number			Pin Name	Description
CAT5110/ CAT5125	CAT5118/ CAT5123	CAT5119/ CAT5124		
1	1	1	V _{DD}	Power Supply
2	2	2	GND	Ground
3	3	3	U/ \overline{D}	Up/ $\overline{\text{Down}}$ Control Input. With $\overline{\text{CS}}$ low, a low-to-high transition increments or decrements the wiper position.
4	4	4	$\overline{\text{CS}}$	Chip Select Input. A high-to-low $\overline{\text{CS}}$ transition determines the mode: increment if U/ \overline{D} is high, or decrement if U/ \overline{D} is low.
-	-	5	L	Low Terminal of Resistor
5	-	-	W	Wiper Terminal of Resistor
6	6	6	H	High Terminal of Resistor

ABSOLUTE MAXIMUM RATINGS⁽¹⁾

Parameters	Ratings	Units
V _{DD} to GND	-0.3 to +6	V
All Other Pins to GND	-0.3 to (V _{DD} + 0.3)	V
Input and Output Latch-Up Immunity	±200	mA
Maximum Continuous Current into H, L and W 100kΩ 50kΩ 10kΩ	±0.6 ±1.3 ±1.3	mA
Continuous Power Dissipation (T _A = +70°C) 5-pin SC-70 ⁽²⁾ 6-pin SC-70 ⁽²⁾	247 245	mW
Operating Temperature Range	-40 to +85	°C
Junction Temperature	+150	°C
Storage Temperature Range	-65 to +150	°C
Soldering Temperature (soldering, 10sec)	+300	°C

Notes:

- (1) Stresses above those listed under "Absolute Maximum Ratings" may cause permanent damage to the device. These are stress ratings only, and functional operation of the device at these or any other conditions outside of those listed in the operational sections of this specification is not implied. Exposure to any absolute maximum rating for extended periods may affect device performance and reliability.
- (2) Derate 3.1mW/°C above T_A = +70°C

ELECTRICAL CHARACTERISTICS

$V_{DD} = 2.7V$ to $5.5V$, $V_H = V_{DD}$, $V_L = 0$, $T_A = -40^{\circ}C$ to $+85^{\circ}C$. Typical values are at $V_{DD} = 2.7V$, $T_A = 25^{\circ}C$, unless otherwise noted.

Parameter	Symbol	Conditions	Min	Typ	Max	Units
DC Performance						
Resolution			32			Taps
End-to-End Resistance (-00)			80	100	120	k Ω
End-to-End Resistance (-50)			40	50	60	
End-to-End Resistance (-10)			8	10	12	
End-to-End Resistance Tempco	TC_R	CAT5110/18/19		200		ppm/ $^{\circ}C$
		CAT5123/24/25		30	300	
Ratiometric Resistance Tempco				5		ppm/ $^{\circ}C$
Integral Nonlinearity	INL			± 0.5	± 1	LSB
Differential Nonlinearity	DNL				± 1	LSB
Full-Scale Error				± 0.1		LSB
Zero-Scale Error					1	LSB
Wiper Resistance	R_W	CAT5110/18/19		200	600	Ω
		CAT5123/24/25		80	200	
Digital Inputs						
Input High Voltage	V_{IH}		$0.7 \times V_{DD}$			V
Input Low Voltage	V_{IL}				$0.3 \times V_{DD}$	V
Timing Characteristics (Figures 1, 2)						
U/\bar{D} Mode to \bar{CS} Setup	t_{CU}		25			ns
\bar{CS} to U/\bar{D} Step Setup	t_{CI}		50			ns
\bar{CS} to U/\bar{D} Step Hold	t_{IC}		25			ns
U/\bar{D} Step Low Period	t_{iL}		25			ns
U/\bar{D} Step High Period	t_{iH}		25			ns
Up/Down Toggle Rate ⁽¹⁾	f_{TOGGLE}			1		MHz
Output Settling Time ⁽²⁾	t_{SETTLE}	100k Ω variable resistor configuration, $C_L = 10pF$		1		μs
		100k Ω potentiometer configuration, $C_L = 10pF$		0.25		
Power Supply						
Supply Voltage	V_{DD}		2.7		5.5	V
Active Supply Current ⁽³⁾	I_{DD}				25	μA
Standby Supply Current ⁽⁴⁾	I_{SB}	$V_{DD} = +5V$		0.3	1	μA

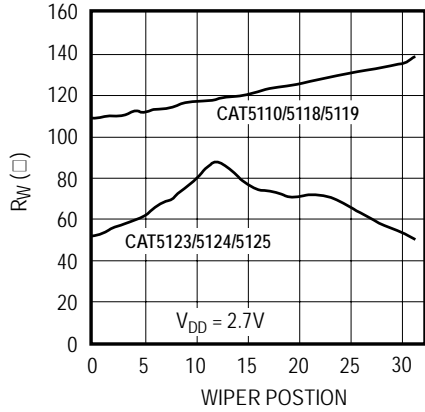
Notes:

- (1) Up/Down Toggle Rate: $f_{TOGGLE} = \frac{1}{t_{SETTLE}}$
- (2) Typical settling times are dependent on end-to-end resistance.
- (3) Supply current measured while changing wiper tap, $f_{TOGGLE} = 1MHz$.
- (4) Supply current measured while wiper position is fixed.

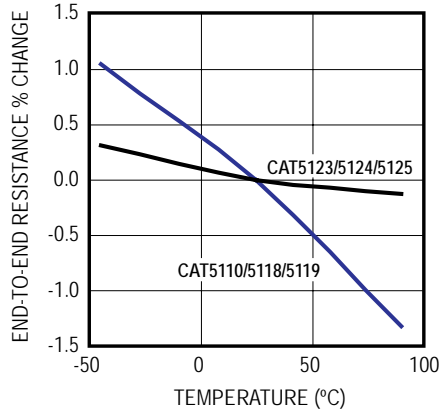
TYPICAL OPERATING CHARACTERISTICS

T_A = 25°C, unless otherwise noted.

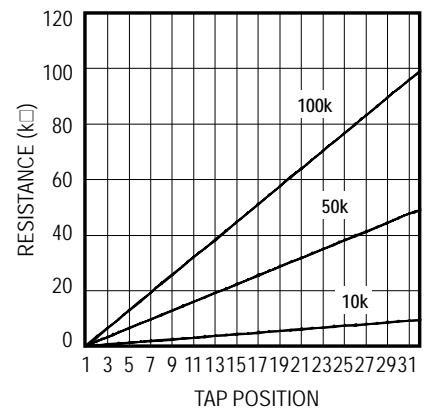
WIPER RESISTANCE vs. WIPER POSITION



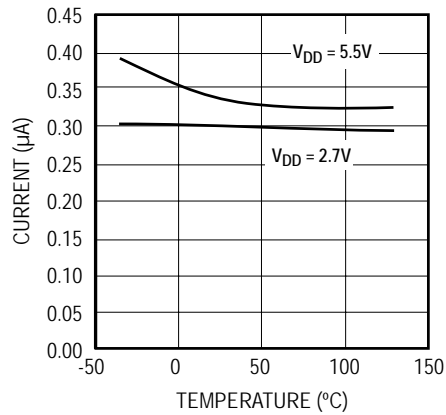
CHANGE IN END-TO-END RESISTANCE vs. TEMPERATURE



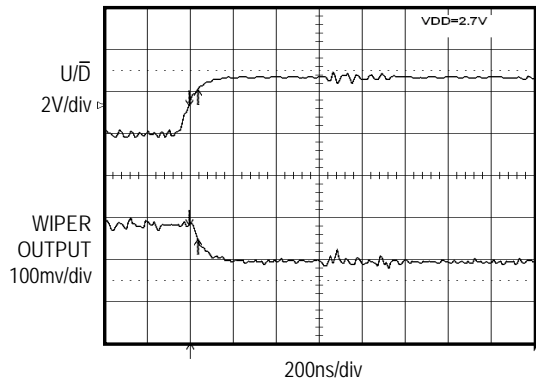
W-TO-L RESISTANCE vs. TAP POSITION



SUPPLY CURRENT vs. TEMPERATURE



TAP-TO-TAP SWITCHING TRANSIENT



FUNCTIONAL DESCRIPTION

The CAT5110/5118/5119/5123/5124/5125 consist of a fixed resistor and a wiper contact with 32-tap points that are digitally controlled through a 2-wire up/down serial interface. Three end-to-end resistance values are available: 10kΩ, 50kΩ and 100kΩ.

The CAT5110/5125 is designed to operate as a potentiometer. In this configuration, the low terminal of the resistor array is connected to ground (pin 2).

The CAT5118/5123 performs as a variable resistor. In this device, the wiper terminal and high terminal of the resistor array are connected at pin 5. The CAT5119/5124 is a similar variable resistor, except the low terminal is connected to pin 5.

Digital Interface Operation

The MiniPots have two modes of operation when the serial interface is active: increment and decrement mode. The serial interface is only active when \overline{CS} is low.

The \overline{CS} and U/\overline{D} inputs control the position of the wiper along the resistor array. When \overline{CS} transitions from high to low, the part will go into increment mode if U/\overline{D} input is high, and into decrement mode when U/\overline{D} input is low. Once the mode is set, the device will remain in that mode until \overline{CS} goes high again. A low-to-high transition at the U/\overline{D} pin will increment or decrement the wiper position depending on the current mode (Figures 1 and 2).

When the \overline{CS} input transitions to high (serial interface inactive), the value of the counter is stored and the wiper position is maintained.

Note that when the wiper reaches the maximum (or minimum) tap position, the wiper will not wrap around to the minimum (or maximum) position.

Power-On Reset

All parts in this family feature power-on reset (POR) circuitry that sets the wiper position to midscale at power-up. By default, the chip is in the increment mode.

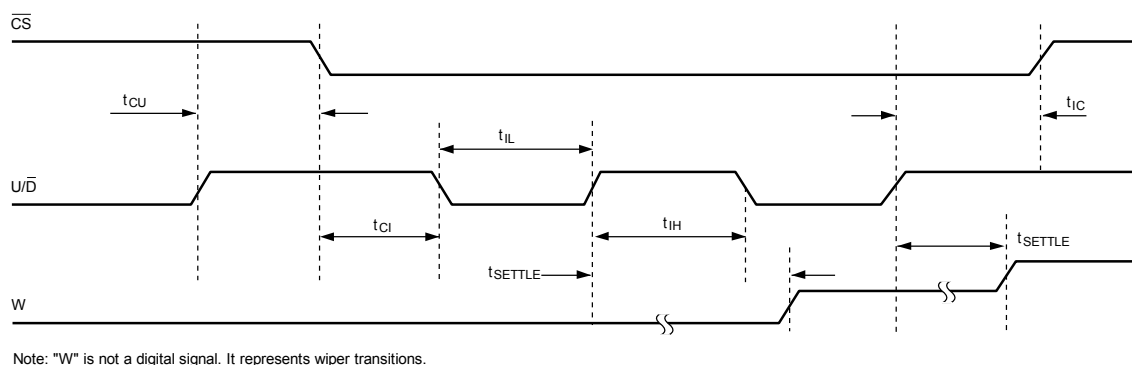


Figure 1. Serial Interface Timing Diagram, Increment Mode

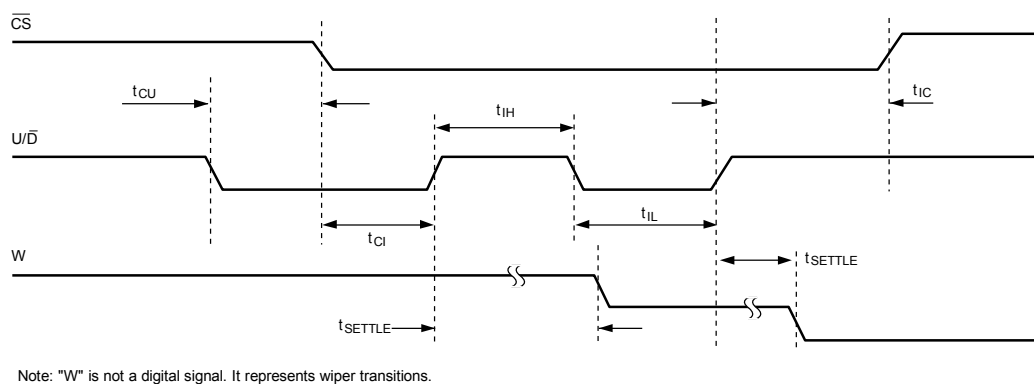


Figure 2. Serial Interface Timing Diagram, Decrement Mode

APPLICATIONS INFORMATION

The MiniPots are intended for circuits requiring digitally controlled adjustable resistance, such as LCD contrast control, where voltage biasing adjusts the display contrast.

Alternative Positive LCD Bias Control

An op amp can be used to provide buffering and gain on the output of the CAT5110/CAT5125. This can be done by connecting the wiper output to the positive input of a noninverting op amp as shown in Figure 3. Figure 4 shows a similar circuit for the CAT5119/CAT5124.

Adjustable Gain

Figure 5 shows how to use either a variable resistor or a potentiometer to digitally adjust the gain of a noninverting op amp configuration, by connecting the Minipot in series with a resistor to ground. The MiniPots have a low 5ppm/°C ratiometric tempco that allows for a very stable adjustable gain configuration over temperature.

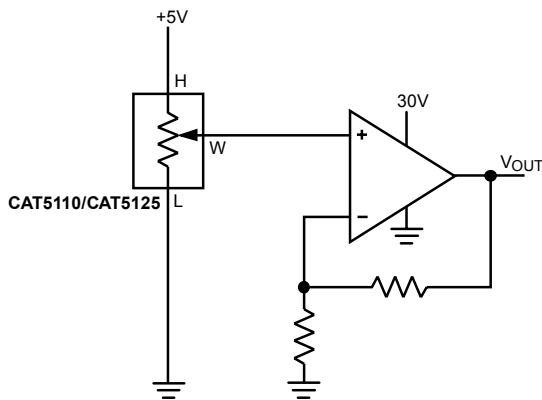


Figure 3. Positive LCD Bias Control

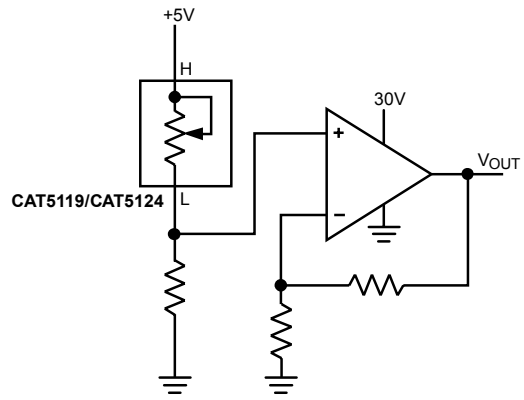


Figure 4. Positive LCD Bias Control

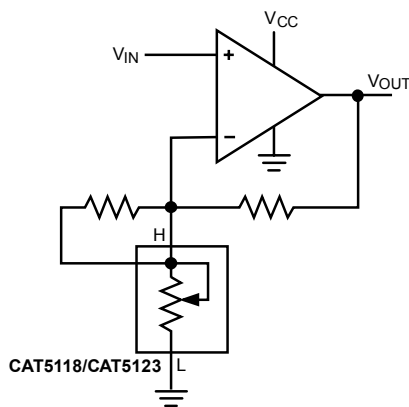


Figure 5a. Adjustable Gain Circuit

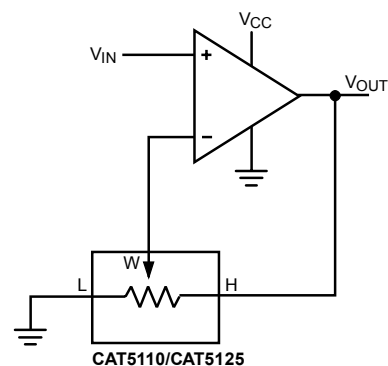
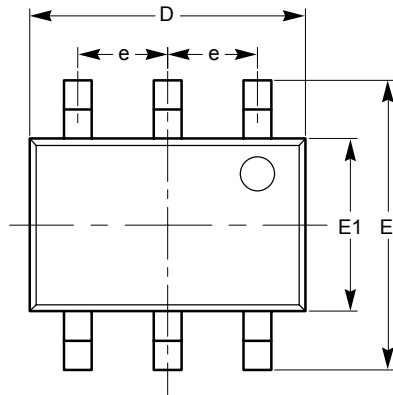


Figure 5b. Adjustable Gain Circuit

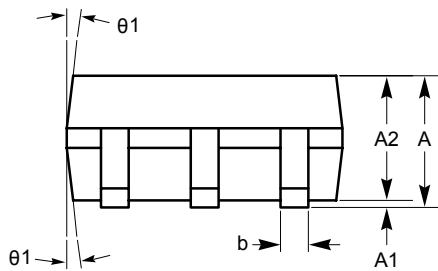
PACKAGE OUTLINE DRAWINGS

SC-70 6-Lead (SD) ⁽¹⁾⁽²⁾

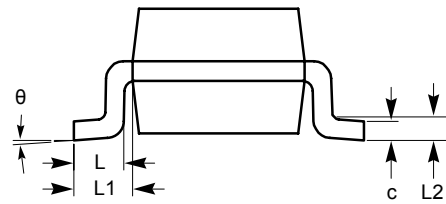


TOP VIEW

SYMBOL	MIN	NOM	MAX
A	0.80		1.10
A1	0.00		0.10
A2	0.80		1.00
b	0.15		0.30
c	0.10		0.18
D	1.80	2.00	2.20
E	1.80	2.10	2.40
E1	1.15	1.25	1.35
e	0.65 BSC		
L	0.26	0.36	0.46
L1	0.42 REF		
L2	0.15 BSC		
θ	0°		8°
θ_1	4°		10°



SIDE VIEW

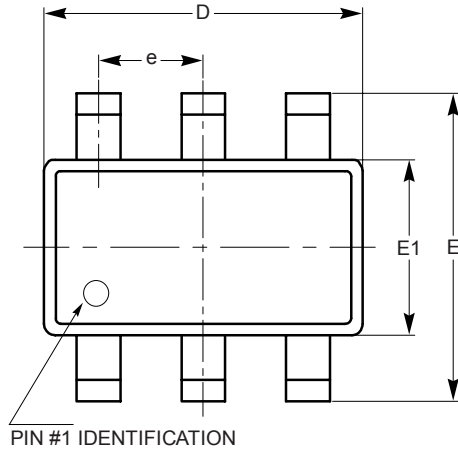


END VIEW

Notes:

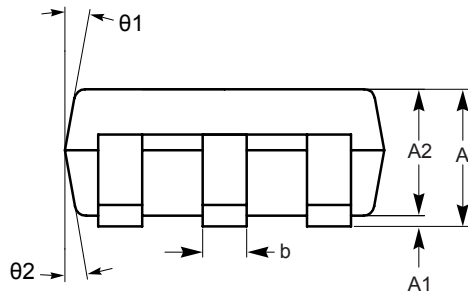
- (1) All dimensions are in millimeters. Angles in degrees.
- (2) Complies with JEDEC standard MS-203.

SOT-23 6-Lead (TB) ⁽¹⁾⁽²⁾

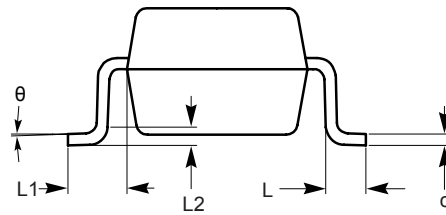


TOP VIEW

SYMBOL	MIN	NOM	MAX
A	0.90		1.45
A1	0.00		0.15
A2	0.90	1.15	1.30
b	0.30		0.50
c	0.08		0.22
D	2.90 BSC		
E	2.80 BSC		
E1	1.60 BSC		
e	0.95 BSC		
L	0.30	0.45	0.60
L1	0.60 REF		
L2	0.25 REF		
θ	0°	4°	8°
$\theta 1$	5°	10°	15°
$\theta 2$	5°	10°	15°



SIDE VIEW

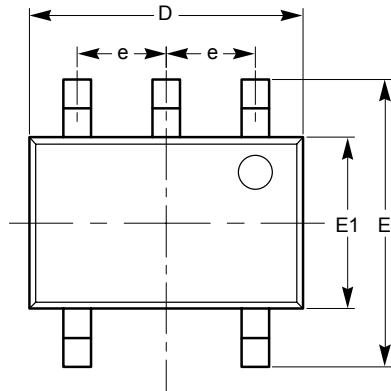


END VIEW

Notes:

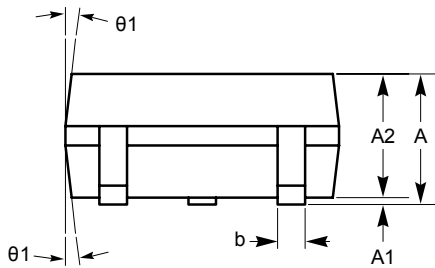
- (1) All dimensions are in millimeters. Angles in degrees.
- (2) Complies with JEDEC standard MO-178.

SC-70 5-Lead (SD) ⁽¹⁾⁽²⁾

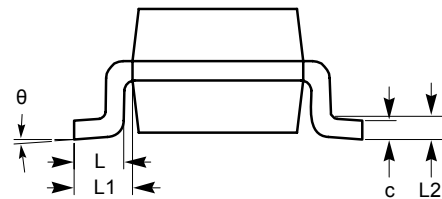


TOP VIEW

SYMBOL	MIN	NOM	MAX
A	0.80		1.10
A1	0.00		0.10
A2	0.80		1.00
b	0.15		0.30
c	0.10		0.18
D	1.80	2.00	2.20
E	1.80	2.10	2.40
E1	1.15	1.25	1.35
e	0.65 BSC		
L	0.26	0.36	0.46
L1	0.42 REF		
L2	0.15 BSC		
θ	0°		8°
θ_1	4°		10°



SIDE VIEW

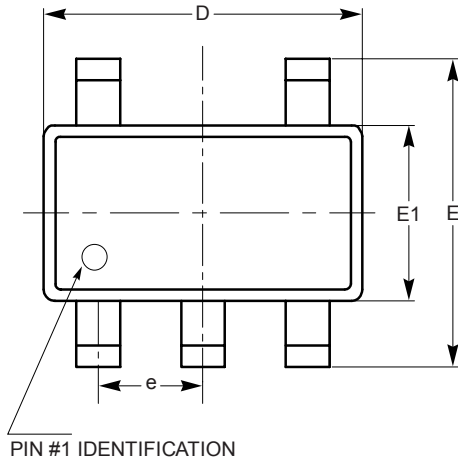


END VIEW

Notes:

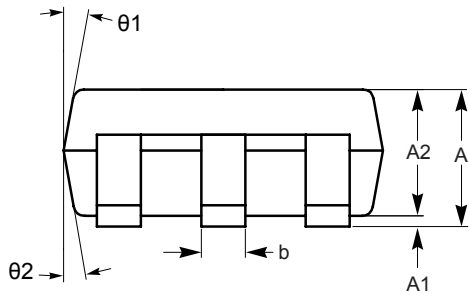
- (1) All dimensions are in millimeters. Angles in degrees.
- (2) Complies with JEDEC standard MS-203.

SOT-23 5-Lead (TB) ⁽¹⁾⁽²⁾

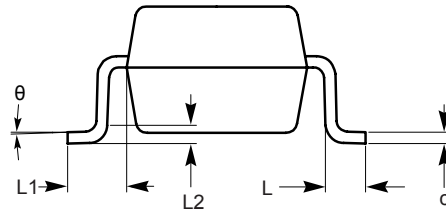


TOP VIEW

SYMBOL	MIN	NOM	MAX
A	0.90		1.45
A1	0.00		0.15
A2	0.90	1.15	1.30
b	0.30		0.50
c	0.08		0.22
D	2.90 BSC		
E	2.80 BSC		
E1	1.60 BSC		
e	0.95 BSC		
L	0.30	0.45	0.60
L1	0.60 REF		
L2	0.25 REF		
θ	0°	4°	8°
$\theta 1$	5°	10°	15°
$\theta 2$	5°	10°	15°



SIDE VIEW

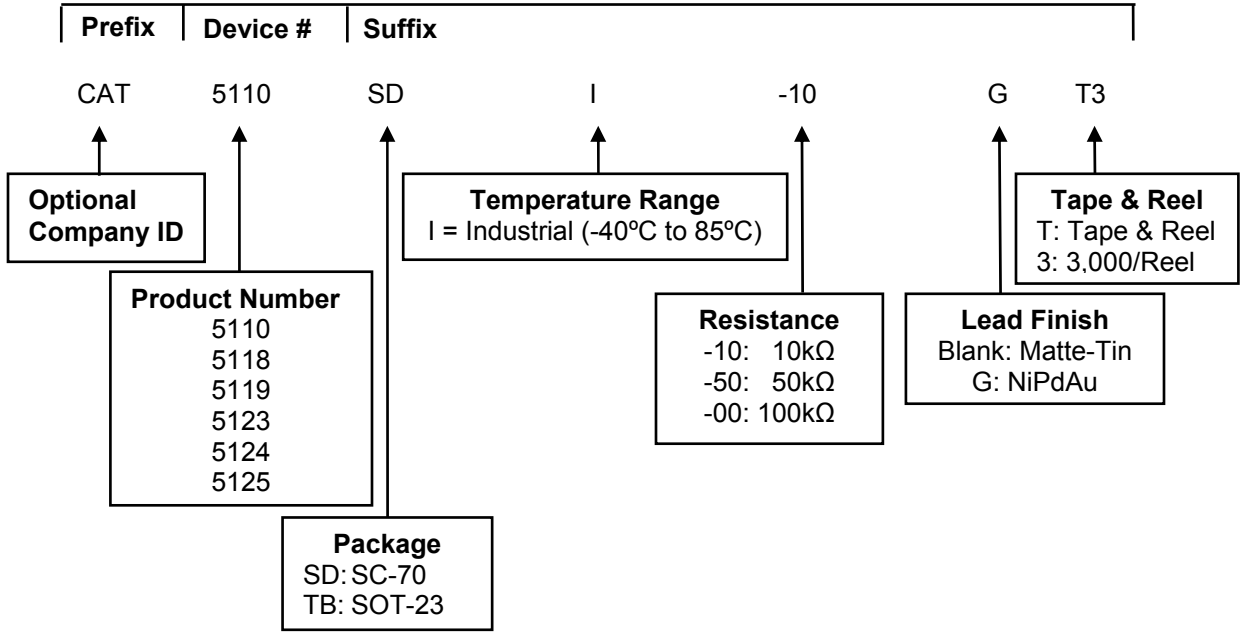


END VIEW

Notes:

- (1) All dimensions are in millimeters. Angles in degrees.
- (2) Complies with JEDEC standard MO-178.

EXAMPLE OF ORDERING INFORMATION



Notes:

- (1) All packages are RoHS-compliant (Lead-free, Halogen-free).
- (2) The standard finish is NiPdAu.
- (3) The device used in the example above is a CAT5110SDI-10GT3 (SC-70, Industrial Temperature, 10kΩ, NiPdAu, Tape & Reel, 3,000/Reel).
- (4) For additional package and temperature options, please contact your nearest ON Semiconductor Sales office.

ORDERING INFORMATION

Device	Orderable Part Number	Resistor [kΩ]	Pin Package	Parts Per Reel
CAT5110	CAT5110SDI-10GT3	10	SC70-6	3,000
	CAT5110TBI-10-T3 ⁽¹⁾	10	SOT23-6	3,000
	CAT5110TBI-10GT3	10	SOT23-6	3,000
	CAT5110SDI-50GT3	50	SC70-6	3,000
	CAT5110TBI-50-T3 ⁽¹⁾	50	SOT23-6	3,000
	CAT5110TBI-50GT3	50	SOT23-6	3,000
	CAT5110SDI-00GT3	100	SC70-6	3,000
	CAT5110TBI-00-T3 ⁽¹⁾	100	SOT23-6	3,000
	CAT5110TBI-00GT3	100	SOT23-6	3,000
CAT5118	CAT5118SDI-10GT3	10	SC70-5	3,000
	CAT5118TBI-10-T3 ⁽¹⁾	10	SOT23-5	3,000
	CAT5118TBI-10GT3	10	SOT23-5	3,000
	CAT5118SDI-50GT3	50	SC70-5	3,000
	CAT5118TBI-50-T3 ⁽¹⁾	50	SOT23-5	3,000
	CAT5118TBI-50GT3	50	SOT23-5	3,000
	CAT5118SDI-00GT3	100	SC70-5	3,000
	CAT5118TBI-00-T3 ⁽¹⁾	100	SOT23-5	3,000
	CAT5118TBI-00GT3	100	SOT23-5	3,000
CAT5119	CAT5119SDI-10GT3	10	SC70-6	3,000
	CAT5119TBI-10-T3 ⁽¹⁾	10	SOT23-6	3,000
	CAT5119TBI-10GT3	10	SOT23-6	3,000
	CAT5119SDI-50GT3	50	SC70-6	3,000
	CAT5119TBI-50-T3 ⁽¹⁾	50	SOT23-6	3,000
	CAT5119TBI-50GT3	50	SOT23-6	3,000
	CAT5119SDI-00GT3	100	SC70-6	3,000
	CAT5119TBI-00-T3 ⁽¹⁾	100	SOT23-6	3,000
	CAT5119TBI-00GT3	100	SOT23-6	3,000

Notes:

(1) Part number is not exactly the same as the "Example of Ordering Information" shown on page 11. For part numbers marked with (1) there are two hyphens in the orderable part number.


Device	Orderable Part number	Resistor [kΩ]	Pin Package	Parts Per Reel
CAT5123	CAT5123TBI-10-T3 ⁽¹⁾	10	SOT23-5	3,000
	CAT5123TBI-10GT3	10	SOT23-5	3,000
	CAT5123TBI-50-T3 ⁽¹⁾⁽²⁾	50	SOT23-5	3,000
	CAT5123TBI-50GT3 ⁽²⁾	50	SOT23-5	3,000
	CAT5123TBI-00-T3 ⁽¹⁾⁽²⁾	100	SOT23-5	3,000
	CAT5123TBI-00GT3 ⁽²⁾	100	SOT23-5	3,000
CAT5124	CAT5124TBI-10-T3 ⁽²⁾	10	SOT23-6	3,000
	CAT5124TBI-10GT3 ⁽²⁾	10	SOT23-6	3,000
	CAT5124TBI-50-T3 ⁽¹⁾	50	SOT23-6	3,000
	CAT5124TBI-50GT3	50	SOT23-6	3,000
	CAT5124TBI-00-T3 ⁽¹⁾⁽²⁾	100	SOT23-6	3,000
	CAT5124TBI-00GT3 ⁽²⁾	100	SOT23-6	3,000
CAT5125	CAT5125TBI-10-T3 ⁽¹⁾	10	SOT23-6	3,000
	CAT5125TBI-10GT3	10	SOT23-6	3,000
	CAT5125TBI-50-T3 ⁽¹⁾⁽²⁾	50	SOT23-6	3,000
	CAT5125TBI-50GT3 ⁽²⁾	50	SOT23-6	3,000
	CAT5125TBI-00-T3 ⁽¹⁾⁽²⁾	100	SOT23-6	3,000
	CAT5125TBI-00GT3 ⁽²⁾	100	SOT23-6	3,000

Notes:

- (1) Part number is not exactly the same as the "Example of Ordering Information" shown on page 11. For part numbers marked with (1) there are two hyphens in the orderable part number.
- (2) Contact factory for availability.

REVISION HISTORY

Date	Rev.	Description
10-Mar-04	A	Initial Issue
18-Mar-04	B	Update Typical Operating Characteristics Update SC70 package outline
19-Jul-04	C	Added SOT-23 package in all areas Update Description Update Electrical Characteristics Update Typical Operating Characteristics Update Functional Description
15-Dec-06	D	Added CAT5123, CAT5124, CAT5125 Update Features Update Description Update Pin Configuration Update Pin Description Update Electrical Characteristics Update Typical Operating Characteristics Update Functional Description Update Figures 3, 4, 5 and 6 Update Package Information Update Example of Ordering Information Update Ordering information
29-Jan-07	E	Update Electrical Characteristics
03-Aug-07	F	Update Package Outline Drawings Update Example of Ordering Information Update Ordering Information "Top Marking"
02-Nov-07	G	Update Electrical Characteristics Update Package Outline Drawings
29-Jan-08	H	Update Ordering Information
12-Mar-08	I	Add Top Mark Code link
29-May-08	J	Delete 10,000 per reel option Update Document Layout
20-Nov-08	K	Change logo and fine print to ON Semiconductor
20-May-09	L	Update Orderable Part Number

ON Semiconductor and  are registered trademarks of Semiconductor Components Industries, LLC (SCILLC). SCILLC reserves the right to make changes without further notice to any products herein. SCILLC makes no warranty, representation or guarantee regarding the suitability of its products for any particular purpose, nor does SCILLC assume any liability arising out of the application or use of any product or circuit, and specifically disclaims any and all liability, including without limitation special, consequential or incidental damages. "Typical" parameters which may be provided in SCILLC data sheets and/or specifications can and do vary in different applications and actual performance may vary over time. All operating parameters, including "Typicals" must be validated for each customer application by customer's technical experts. SCILLC does not convey any license under its patent rights nor the rights of others. SCILLC products are not designed, intended, or authorized for use as components in systems intended for surgical implant into the body, or other applications intended to support or sustain life, or for any other application in which the failure of the SCILLC product could create a situation where personal injury or death may occur. Should Buyer purchase or use SCILLC products for any such unintended or unauthorized application, Buyer shall indemnify and hold SCILLC and its officers, employees, subsidiaries, affiliates, and distributors harmless against all claims, costs, damages, and expenses, and reasonable attorney fees arising out of, directly or indirectly, any claim of personal injury or death associated with such unintended or unauthorized use, even if such claim alleges that SCILLC was negligent regarding the design or manufacture of the part. SCILLC is an Equal Opportunity/Affirmative Action Employer. This literature is subject to all applicable copyright laws and is not for resale in any manner.

PUBLICATION ORDERING INFORMATION

LITERATURE FULFILLMENT:

Literature Distribution Center for ON Semiconductor
P.O. Box 5163, Denver, Colorado 80217 USA
Phone: 303-675-2175 or 800-344-3860 Toll Free USA/Canada
Fax: 303-675-2176 or 800-344-3867 Toll Free USA/Canada
Email: orderlit@onsemi.com

N. American Technical Support: 800-282-9855 Toll Free
USA/Canada
Europe, Middle East and Africa Technical Support:
Phone: 421 33 790 2910
Japan Customer Focus Center:
Phone: 81-3-5773-3850

ON Semiconductor Website: www.onsemi.com

Order Literature: <http://www.onsemi.com/orderlit>

For additional information, please contact your local
Sales Representative
